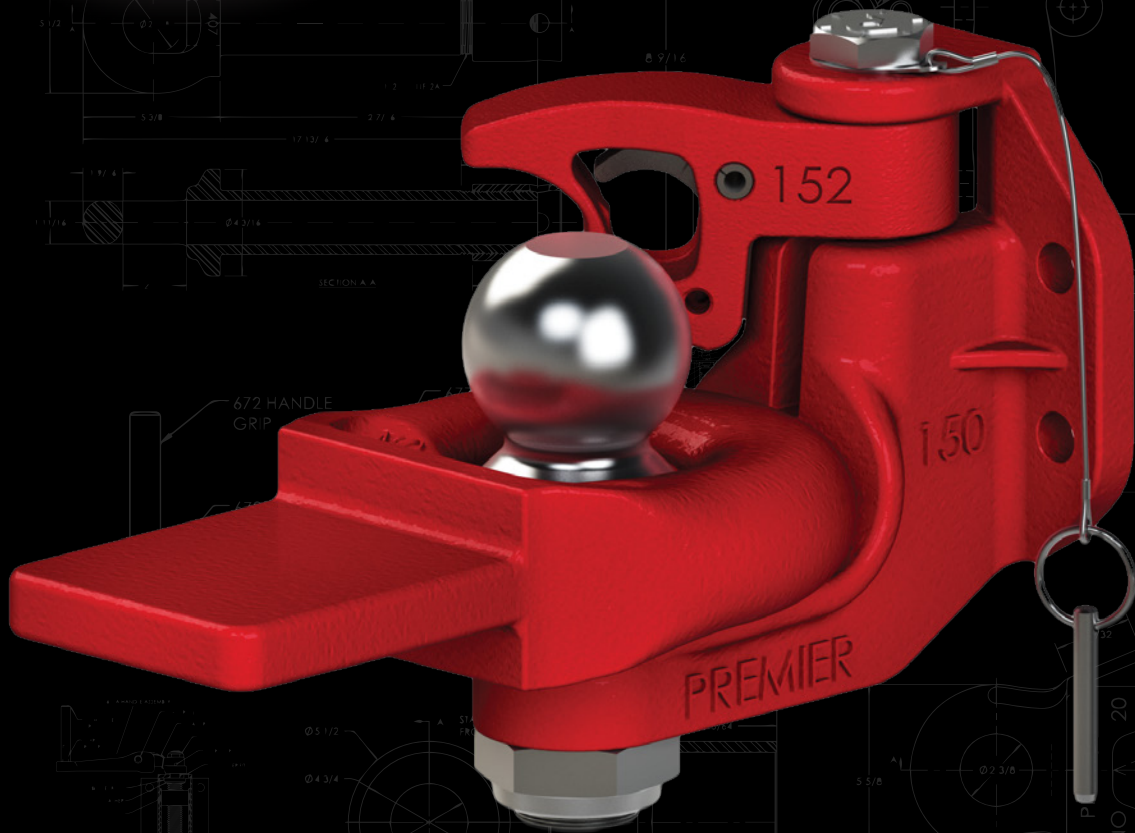




PREMIER

MANUFACTURING



PATENTED SWING LATCH TECHNOLOGY

PREMIER-MFG.COM | 800.255.5387 | PULLING FOR YOUR SUCCESS



WE'RE PULLING FOR YOUR SUCCESS

**FROM THE LEADER IN CLASS 8 COMPONENTS
GET PREMIER QUALITY & SAFETY
IN A UTILITY SIZED PACKAGE.**

KEY FEATURES

- Stout product in a modest size
- Light to medium duty towing capacities
- Compact, low profile with trigger latch system
- Swing latch rotates sideways, out of the way, in either direction
- Perfect coupling for utility type applications
- Dependable, durable, competent
- Impressive, superior quality



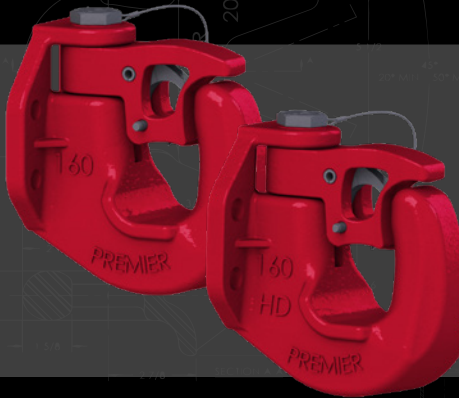
MODEL 150

MGTW with Drawbar Eye: 20,000 lbs. (9,072 kg)
 MGTW with 155 or 156 Ball: 10,000 lbs. (4,535 kg)
 Maximum Tongue Weight: 2,500 lbs. (1,134 kg)
 Ultimate Latch Capacity: 5,000 lbs. (2,267 kg)
 Maximum Eye X-Section: 1 13/16 in. (46 mm)
 Minimum Eye Opening: 2 3/8 in. (60 mm)
 Unit Weight: 15 lbs. (6.8 kg)

Model 150:
 150 Coupling & 155 Ball
 (2 in. diameter)

Model 150-1:
 150 Coupling & 156 Ball
 (2 5/16 in. diameter)

150 is a combo, multipurpose coupling, for use with a drawbar eye or a ball coupler connection.



MODEL 160

Max Gross Trailer Weight: 30,000 lbs. (13,607 kg)
 Maximum Tongue Weight: 4,500 lbs. (2,041 kg)
 Ultimate Latch Capacity: 5,000 lbs. (2,267 kg)
 Maximum Eye X-Section: 1 13/16 in. (46 mm)
 Minimum Eye Opening: 2 in. (51 mm)
 Unit Weight: 14 lbs. (6.4 kg)
 - Uses 1/2" mounting holes

MODEL 160HD

Max Gross Trailer Weight: 40,000 lbs. (18,144 kg)
 Maximum Tongue Weight: 6,500 lbs. (2,948 kg)
 Ultimate Latch Capacity: 5,000 lbs. (2,267 kg)
 Maximum Eye X-Section: 1 13/16 in. (46 mm)
 Minimum Eye Opening: 2 in. (51 mm)
 Unit Weight: 14.4 lbs. (6.5 kg)
 - Uses 9/16" mounting holes



HIGH BAR BRANDS



PREMIER MANUFACTURING
 19500 SW Teton Avenue • Tualatin, OR 97062
 (800) 255-5387 or (503) 234-9202
 www.PREMIER-MFG.com

Sales Flyer # 106051